

Preparation unit—GT Series(Short PC bowl type)

GTC, GTFC, GTFR, GTF, GTL Series

Product feature

1. GT series is the shorter PC bowl version of GA200 series. Besides from the feature of GA200, GT series also has the below features.
2. drain bowl and oil bowl are shorter than GA200, which is suitable for restricted space installation.
3. No Auto drain available.
Drain type is semi-auto drain+manual drain.



Ordering code

GTC200 08 S W G K
 GTFC200 08 S W G K
 GTFR200 08 S W G K

① ② ③ ④ ⑤ ⑥ ⑦ ⑧

① Model	② Port size	③ Type code	④ Accessories	⑤ Pressure gauge	⑥ Filtering grade	⑦ Thread type	⑧ Code of reflux valve
GTC200: GT200 Series F.R.L unit (Short PC bowl)	06: 1/8" 08: 1/4"	S: Standard L: Lower pressure [Note1]	No this code	Blank: Circular N: No gauge [Note2]	Blank: 40 μ m W: 5 μ m	G: G Thread (bar/MPa)	Blank: No reverse flow valve is attached K: Reverse flow valve is attached [Note2]
GTFC200: GT200 Series FR.L unit (Short PC bowl)							
GTFR200: GT200 Series Filter & regulator (Short PC bowl)			Blank: Bracket J: No bracket				

[Note1] The work pressure of lower pressure type is 0.15~0.4MPa(20~58psi) ; [Note2] Please refer to page 201 for details of sealing plate Installation and reflux valve.

GTF200 08 W G

① ② ③ ④ ⑤

① Model	② Port size	③ Accessories	④ Filtering grade	⑤ Thread type
GTF200: GT200 Series Filter (Short PC bowl)	06: 1/8" 08: 1/4"	Blank: Bracket J: No bracket	Blank: 40 μ m W: 5 μ m	G: G Thread

GTL200 08 G

① ② ③ ④

① Model	② Port size	③ Accessories	④ Thread type
GTL200: GT200GA200 Lubricator (Short PC bowl)	06: 1/8" 08: 1/4"	Blank: Bracket J: No bracket	G: G Thread

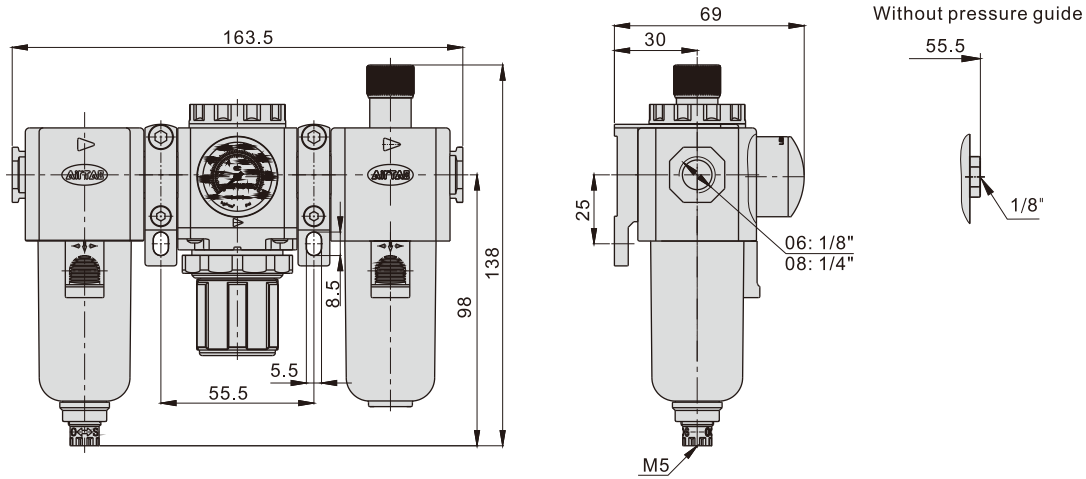
Preparation unit—GT Series(Short PC bowl type)



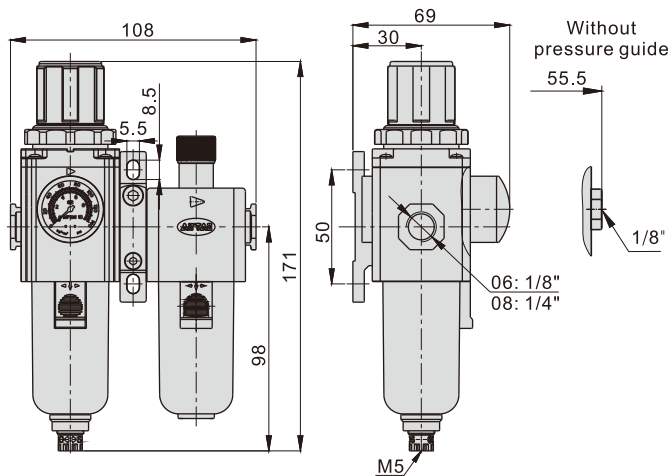
GTC, GTFC, GTFR, GTF, GTL Series

Dimensions

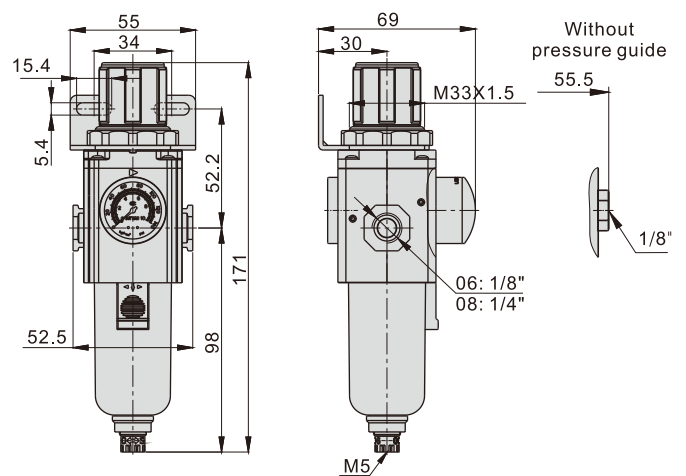
GTC200



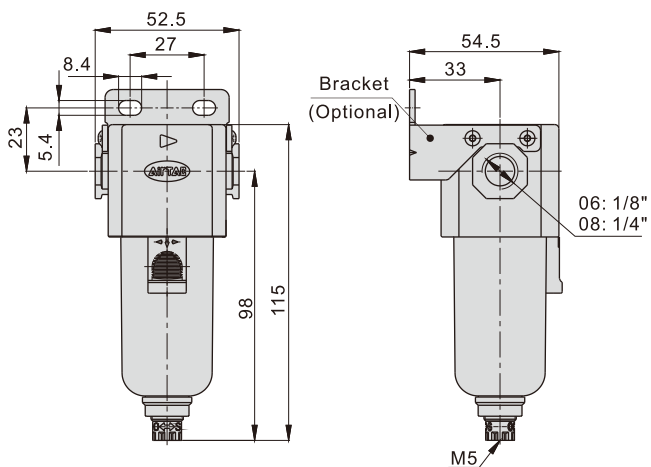
GTFC200



GTFR200



GTF200



GTL200

